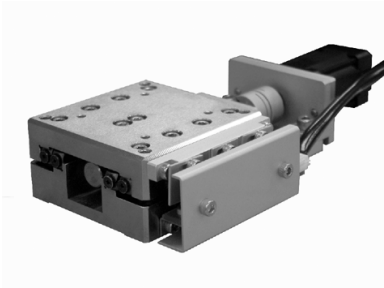


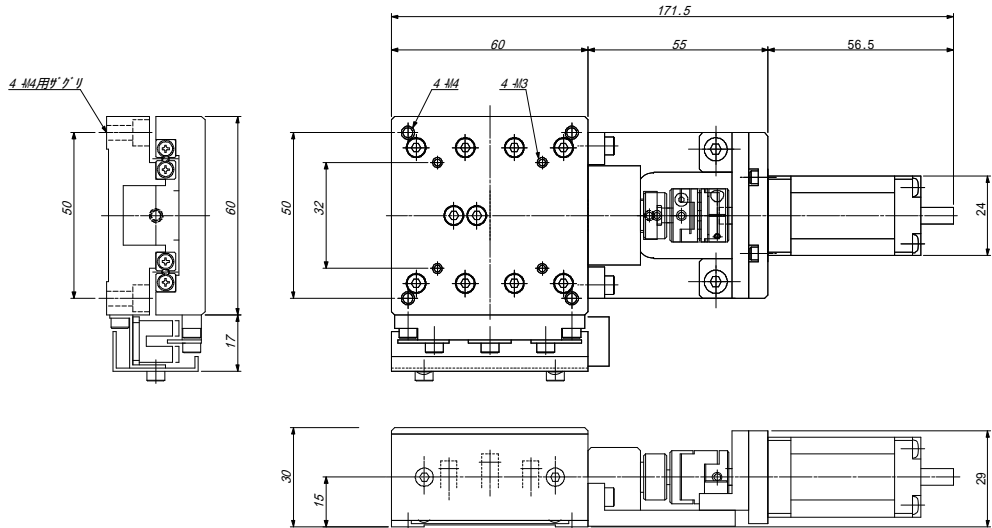
Mechanical SUS Stage



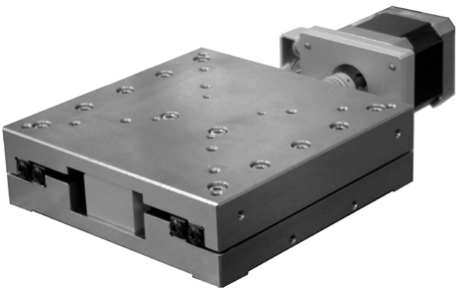
KX-60



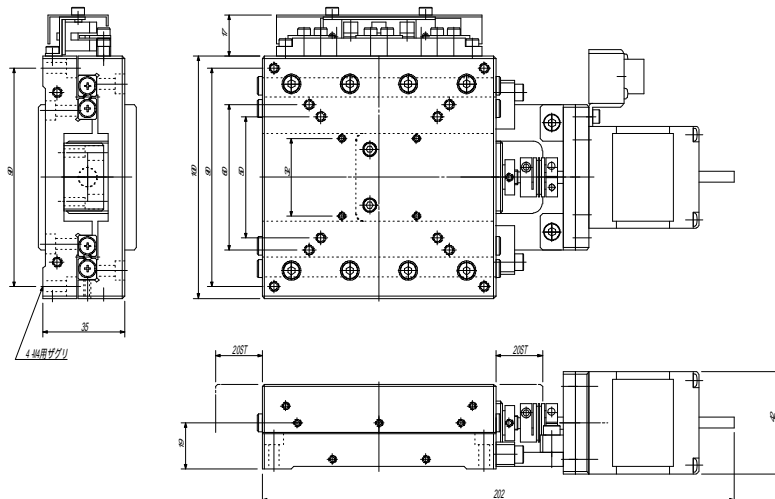
Model	KX-60
Dimension	60mm × 60mm
Travel Guide	Precise Crossed-Roller Guide
Drive Motor	5-phases Stepping Motor 0.75A/Phase
Working Length	± 10mm
Mechanical Drive Screw	Ball Screw 4 Lead1
Resolution	1 μm/pulse (Half step)
Repeatability	< ± 0.3 μm
Backlash	< 1 μm
Lost Motion	< 1 μm
Straight Direction	< 1 μm/10mm
Maximum Speed	10mm/Sec
Weight	0.9kg



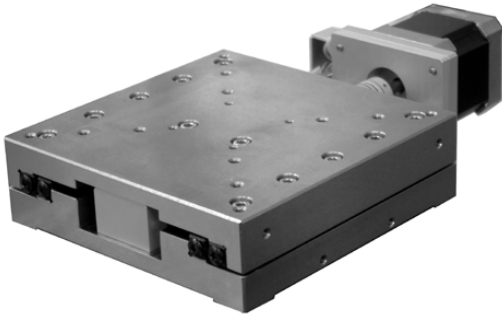
KX-100



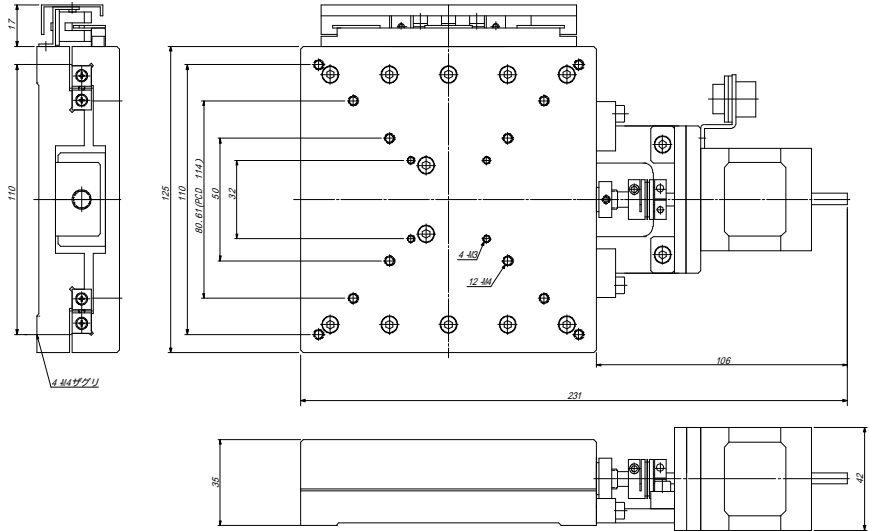
Model	KX-100
Dimension	100mm × 100mm
Travel Guide	Precise Crossed-Roller Guide
Drive Motor	5-phases Stepping Motor 0.75A/Phase
Working Length	± 15mm
Mechanical Drive Screw	Ball Screw 6 Lead1
Resolution	1 μm/pulse (Half step)
Repeatability	< ± 0.3 μm
Backlash	< 1 μm
Lost Motion	< 1 μm
Straight Direction	< 1 μm/10mm
Maximum Speed	10mm/Sec
Weight	2.0kg



KX-125



Model	KX-125
Dimension	125mm × 125mm
Travel Guide	Precise Crossed-Roller Guide
Drive Motor	5-phases Stepping Motor 0.75A/Phase
Working Length	± 25mm
Mechanical Drive Screw	Ball Screw 6 Lead1
Resolution	1 μ m/pulse (Half step)
Repeatability	< ± 0.3 μ m
Backlash	<1 μ m
Lost Motion	<1 μ m
Straight Direction	<1 μ m/10mm
Maximum Speed	10mm/Sec
Weight	2.0kg



Stepping Motor Driver

2 Axes KPO 100D 2
 4 Axes KPO 100D 4



6 Axes KPO 100D 6
 8 Axes KPO 100D 8

Input Voltage	AC100V
Driving Current	0.75A,
Sensor	5V · 12V · 24V (/Axis)
Micro-Step Resolution	1 · 2 · 4 · 5 · 8 · 10 · 20 · 40 · 80 · 16 · 25 · 50 · 100 · 125 · 200 · 250 div
Others	Current Limiter, Emergency Down, etc.



KUGE Co.,Ltd.

1733-4 Ichigaochou Aoba-ku Yokohama Kanagawa-ken Japan 225-0024

tel +81-45-975-0031 fax +81-45-975-0032

URL : <http://kuge-co.com> E-mell : info@kuge-co.com

May 2010